

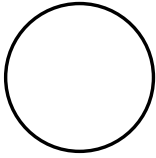
PipeSnug



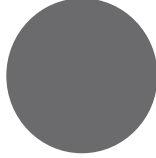
Colours and Sizes



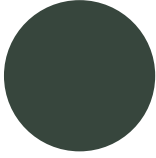
Black



White



Grey



Olive
Grey



32mm



32mm



32mm



32mm



40mm



40mm



40mm



40mm

32mm



40mm



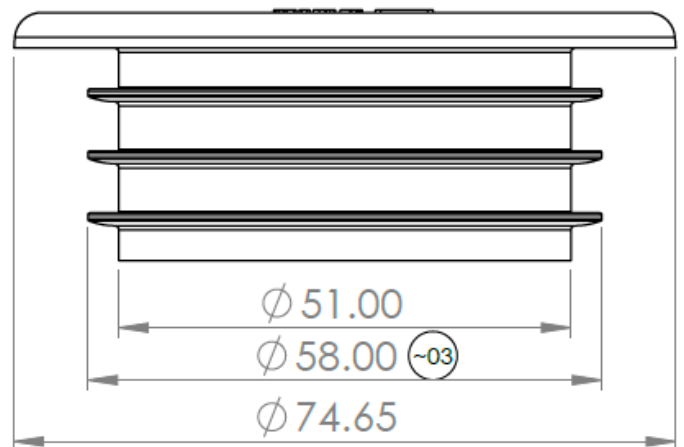
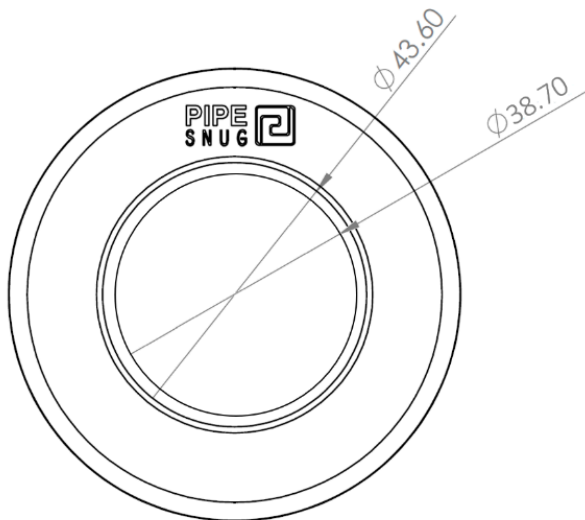
PipeSnug



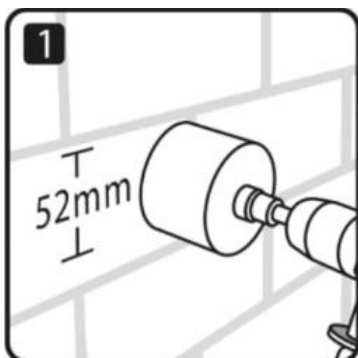
32mm

- Designed to fit 32mm 90 degree or swept solvent weld elbow bends (all UK manufacturer brands)
- Can be used internally and externally
- For use with solvent weld waste pipe systems and boiler condensate pipes when fed into larger diameter 32mm waste to go externally.

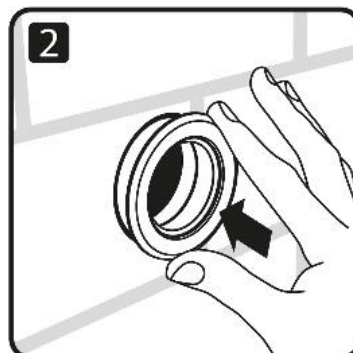
Core Drill Size	L (mm)	W (mm)	H (mm)	Wgt (kg)	Material (Part 1)	Material (Part 2)	Colours Available
52mm	75	75	28	0.024	Polypropylene with UV 91872 hindered amine light stabiliser (HALS) additive	TPE (thermoplastic elastomer) with heat and UV stabiliser	Black, White, Grey, Olive Grey



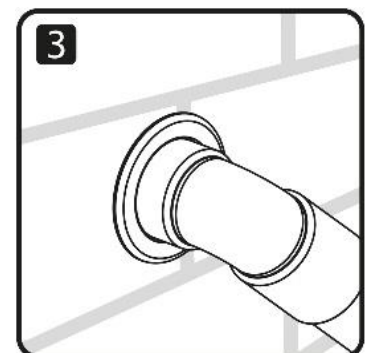
Installation Instructions



Core drill hole using standard 52mm core



Insert PipeSnug into core-drilled hole



Connect up pipework in usual way

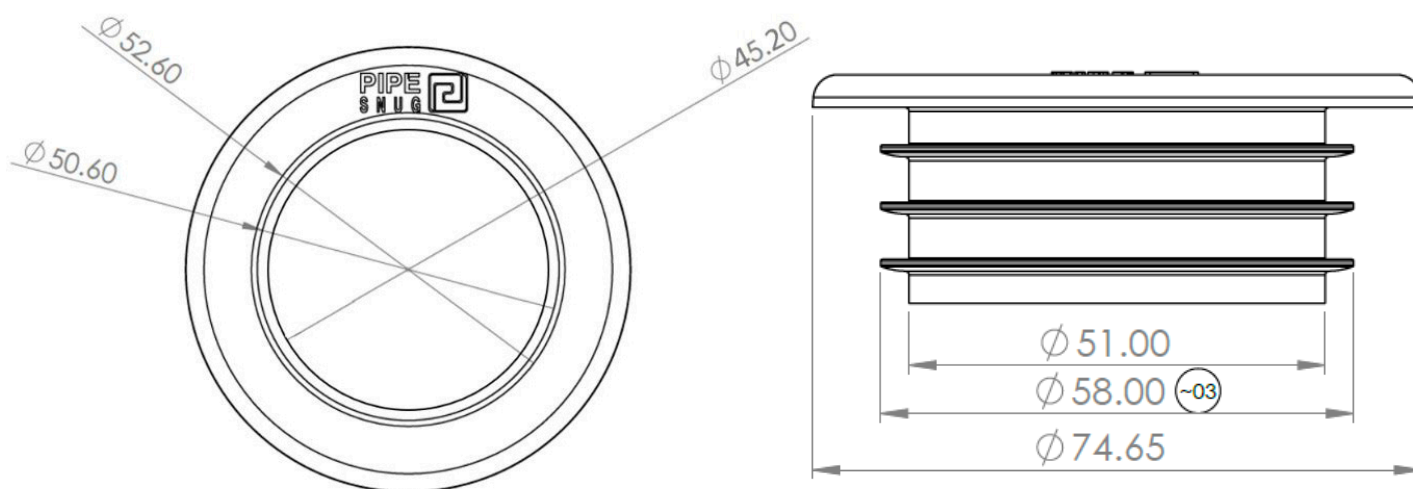
PipeSnug



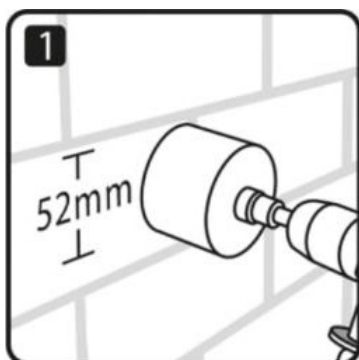
40mm

- Designed to fit 40mm 90 degree or swept solvent weld elbow bends (all UK manufacturer brands)
- Can be used internally and externally
- For use with solvent weld waste pipe systems and boiler condensate pipes when fed into larger diameter 32mm waste to go externally.

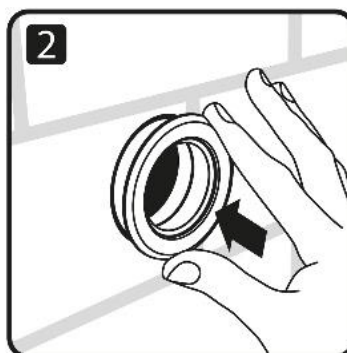
Core Drill Size	L (mm)	W (mm)	H (mm)	Wgt (kg)	Material (Part 1)	Material (Part 2)	Colours Available
52mm	75	75	28	0.018	Polypropylene with UV 91872 hindered amine light stabiliser (HALS) additive	TPE (thermoplastic elastomer) with heat and UV stabiliser	Black, White, Grey, Olive Grey



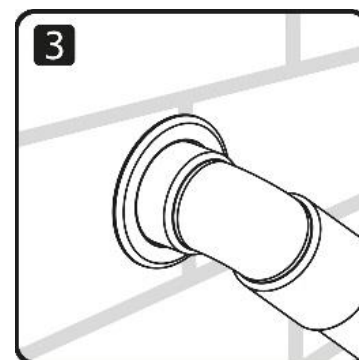
Installation Instructions



Core drill hole using standard 52mm core



Insert PipeSnug into core-drilled hole



Connect up pipework in usual way