

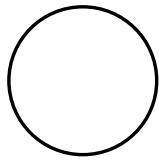
# PipeSnug



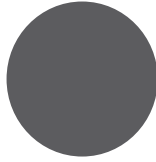
## Colours and Sizes



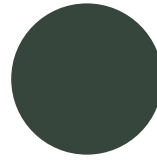
Black



White



Grey



Olive  
Grey



32mm



32mm



32mm



32mm



40mm



40mm



40mm



40mm



110mm



110mm



110mm

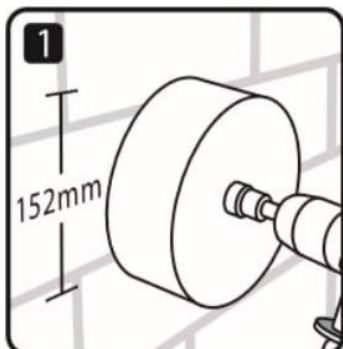


110mm

## 110mm



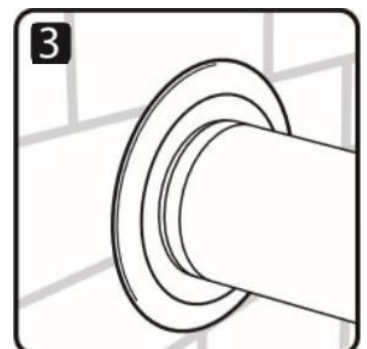
### Installation Instructions



Core drill hole using  
standard 152mm core



Insert PipeSnug into  
core-drilled hole



Connect up pipework  
in usual way

# PipeSnug



## 110mm

- Designed to fit 110mm solvent weld and push-fit fittings - branches, bends, etc (all UK manufacturer brands).
- Can be used internally and externally.
- For use with solvent weld and push fit soil waste pipe systems.

Core Drill Size	L (mm)	W (mm)	H (mm)	Wgt (kg)	Material (Part 1)	Material (Part 2)	Colours Available
152mm	182	182	63	0.144	Polypropylene with UV 91872 hindered amine light stabiliser (HALS) additive	TPE (thermoplastic elastomer) with heat and UV stabiliser	Black, White, Grey, Olive Grey

