

SIAMP 50 Dual Flushing Valve Cable Operated

Fault Finding Guide

Troubleshooting: Dual Flush Valve Not Flushing



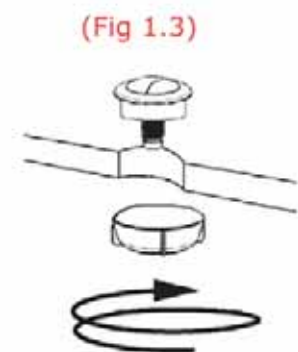
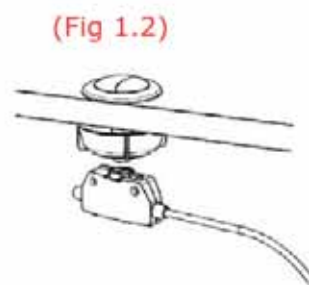
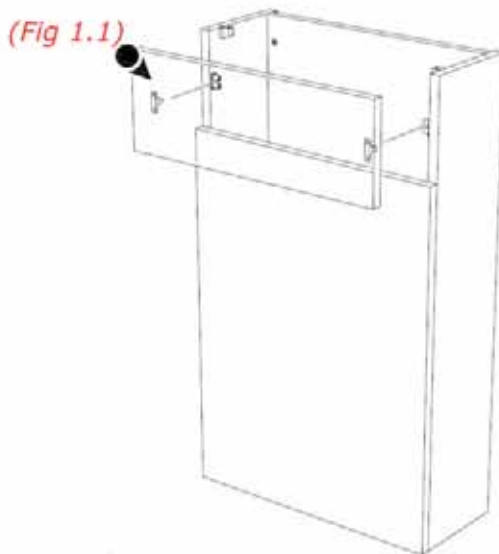
- 1 - Push Button
- 2 - Cable Housing
- 3 - Cable
- 4 - Overflow
- 5 - Strainer



Note: This is often caused by the cable being incorrectly positioned on the cistern fascia/housing to check this please complete the following:

1. Turn off the water supply
2. Remove Cistern Fascia (*Fig 1.1*) **Removal process may vary depending on the type of cistern cabinet**
3. Remove Push Button (1) from Cable Housing (2) (*Fig 1.2*)
4. Remove Push Button (1) from Cistern Fascia (*Fig 1.3*)
5. Attach Push Button (1) back to the Cable Housing (2) **Without the fascia in place**
6. Try flushing the cistern several times putting the Cable (3) in a different position each time.

If the cistern flushes the cause of this problem is due to the Push Button (1) being incorrectly positioned on the Cistern Fascia, thus preventing the Cable (3) from moving freely. This will require for you to reposition the Cable (3) to allow it to move freely or completely repositioning the Push Button (1) on the Cistern Fascia/housing.



If the problem still persists spare parts may be purchased, if this is the case then these can be obtained on 0161 205 1200 quoting your Purchase Order Number.

PLEASE NOTE: Parts may be chargeable.