

INSTALLATION INSTRUCTIONS

Ring Seal Soil & Vent System

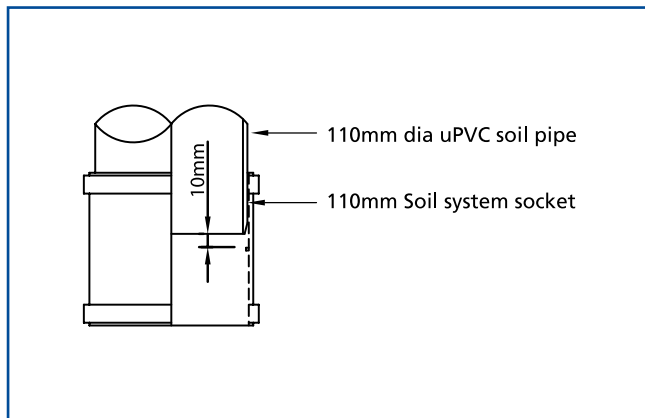
Standards

EN1329-1 110mm PVC-u soil pipe and fittings

Joining

Push-Fit (Ring Seal) Joining

1. Where plain end pipe is being used, ensure that the pipe is cut square to its axis and that all burrs are removed.
2. Chamfer the end of the pipe to prevent the ring seal being damaged or displaced when the pipe is inserted into the socket. Fittings with spigot ends are moulded with a chamfer during manufacture.
3. Lubricate the spigot or ring seal with silicone grease or aerosol lubricant.
4. Insert the pipe or fitting into the socket and then withdraw it by approximately 10mm to allow for expansion of the pipework.



The following table indicates the approximate number of joints that can be made for each pipe diameter with cleaning fluid and silicone grease.

	Pipe Diameter - 110mm
Cleaning Fluid 250ml - CODE CF250	20
Silicone Grease 100ml - CODE SG100	20

Support

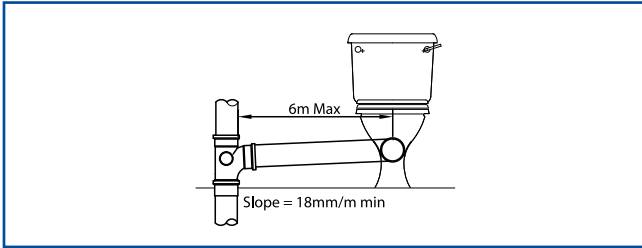
The following table shows recommended pipe support centres for horizontal and vertical pipework.

	Pipe Diameter - 110mm
Horizontal	0.9m
Vertical	1.8m



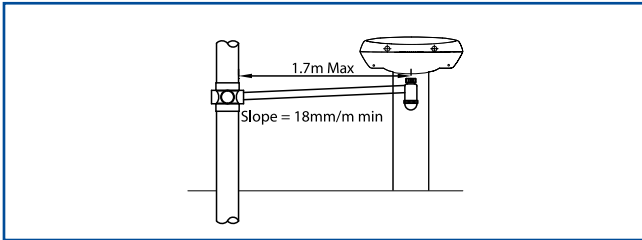
Branch connection details

The following information shows the requirements of the Building Regulations with regard to length of unventilated branch discharge pipes and corresponding gradients.



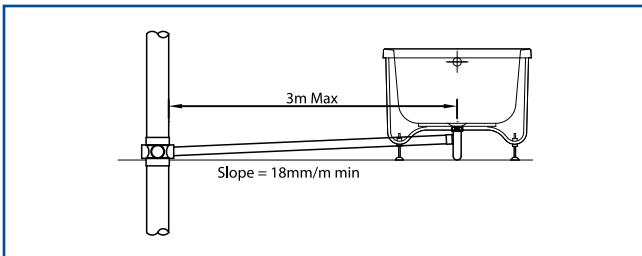
WC

1. Requirement for single WC.
2. A maximum of 8 WC's may be connected to an unventilated soil branch. The length is limited to 15m max. In this case.
3. Pipe diameter = 110mm.
4. It is only permitted to use 82mm diameter pipework when the outlet of the WC pan itself is less than 80mm diameter.



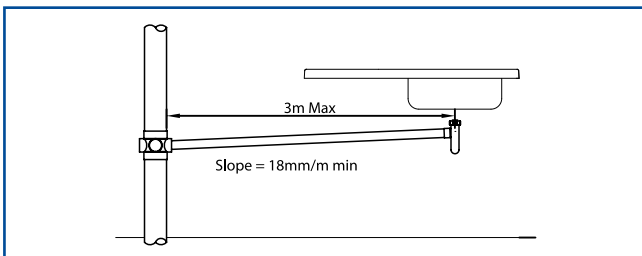
Wash Basin (including Bidet)

1. Where maximum length is exceeded, an anti-siphon trap or anti-siphon unit should be used.
2. Pipe diameter – 32mm.
3. If 40mm diameter pipe is used, max length is 3m..



Bath (including Shower)

1. Pipe diameter = 40mm
2. If 50mm diameter pipe is used, max length is 4m.

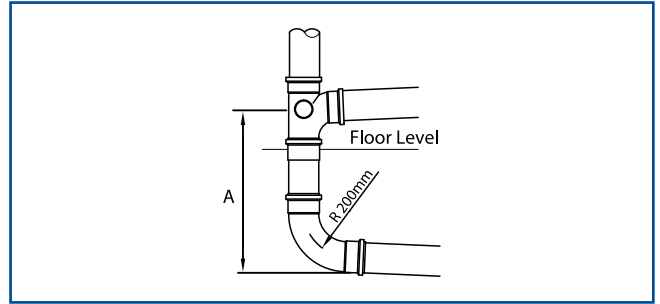


Sink

1. Pipe diameter = 40mm
2. If 50mm diameter pipe is used, max length is 4m

Connections to base of stacks

The minimum vertical distances between connections to the stack and the invert of the underground drainage system are shown below:



- A = 450mm min for buildings up to 3 storeys
 750mm min for buildings up to 4 and 5 storeys

For buildings between 5 and 20 storeys, the ground floor appliances should connect direct to drain or to their own soil stack.

For buildings over 20 storeys, both ground and first floor appliances should connect to their own soil stack.

Stub Stacks

For ground floor appliances, a short unventilated stack may be used, provided it discharges into a ventilated drain and distances do not exceed those shown in the diagram below. Stub stacks may also be used on upper floors where the discharge from the stack is to a ventilated soil stack.

