



HENRAD

— The Radiator —

Beautiful designer radiators
for modern living



PRODUCT RANGE

Compact

With a slim profile and smooth, white finish, Henrad Compact radiators will blend into any room in the house, to provide guaranteed heating performance.



Compact

Single Convactor Type 11 & Type 21
Double Convactor Type 22

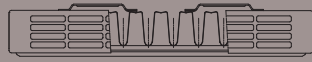
Working pressure:
Tested to withstand 8 bar



Type 11

Type 21

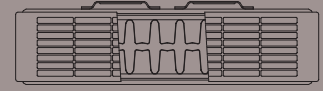
Type 22



SINGLE CONVECTOR TYPE 11



SINGLE CONVECTOR TYPE 21



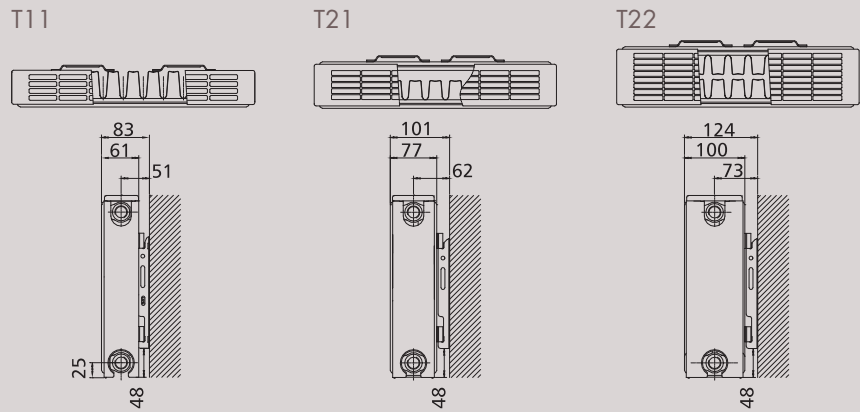
DOUBLE CONVECTOR TYPE 22

| Height mm | Length mm | Henrad Code | Heat emissions | | Henrad Code | Heat emissions | | Henrad Code | Heat emissions | |
|--------------|--------------|----------------|----------------|---------|----------------|----------------|---------|----------------|----------------|--------|
| | | | Watts | Btu/hr | | Watts | Btu/hr | | Watts | Btu/hr |
| 300 | 500 | 2031105 | 255 | 868 | 2032105 | 373 | 1271 | 2032205 | 491 | 1675 |
| | 1000 | 2031110 | 509 | 1737 | 2032110 | 745 | 2542 | 2032210 | 982 | 3351 |
| | 1500 | 2031115 | 764 | 2605 | 2032115 | 1118 | 3813 | 2032215 | 1473 | 5026 |
| | 2000 | 2031120 | 1018 | 3473 | 2032120 | 1490 | 5084 | 2032220 | 1964 | 6701 |
| 450 | 400 | 2011104 | 302 | 1032 | 2012104 | 422 | 1440 | 2012204 | 548 | 1871 |
| | 500 | 2011105 | 378 | 1290 | 2012105 | 528 | 1800 | 2012205 | 686 | 2339 |
| | 600 | 2011106 | 454 | 1548 | 2012106 | 633 | 2160 | 2012206 | 823 | 2807 |
| | 700 | 2011107 | 529 | 1806 | 2012107 | 739 | 2520 | 2012207 | 960 | 3274 |
| | 800 | 2011108 | 605 | 2064 | 2012108 | 844 | 2880 | 2012208 | 1097 | 3742 |
| | 900 | 2011109 | 680 | 2322 | 2012109 | 950 | 3240 | 2012209 | 1234 | 4210 |
| | 1000 | 2011110 | 756 | 2579 | 2012110 | 1055 | 3600 | 2012210 | 1371 | 4678 |
| | 1100 | 2011111 | 832 | 2837 | 2012111 | 1161 | 3960 | 2012211 | 1508 | 5146 |
| | 1200 | 2011112 | 907 | 3095 | 2012112 | 1266 | 4320 | 2012212 | 1645 | 5613 |
| | 1400 | 2011114 | 1058 | 3611 | 2012114 | 1477 | 5040 | 2012214 | 1919 | 6549 |
| | 1600 | 2011116 | 1210 | 4127 | 2012116 | 1688 | 5759 | 2012216 | 2194 | 7485 |
| | 1800 | 2011118 | 1361 | 4643 | 2012118 | 1899 | 6479 | 2012218 | 2468 | 8420 |
| | 2000 | 2011120 | 1512 | 5159 | 2012120 | 2110 | 7199 | 2012220 | 2742 | 9356 |
| | 2200 | 2011122 | 1663 | 5675 | - | - | - | 2012222 | 3016 | 10291 |
| | 2400 | 2011124 | 1814 | 6191 | - | - | - | 2012224 | 3290 | 11227 |
| | 2600 | 2011126 | 1966 | 6707 | - | - | - | 2012226 | 3565 | 12162 |
| 2800 | 2011128 | 2117 | 7223 | - | - | - | 2012228 | 3839 | 13098 | |
| 3000 | 2011130 | 2268 | 7738 | - | - | - | 2012230 | 4113 | 14034 | |
| 600 | 400 | 2061104 | 392 | 1338 | 2062104 | 538 | 1836 | 2062204 | 693 | 2364 |
| | 500 | 2061105 | 490 | 1672 | 2062105 | 673 | 2295 | 2062205 | 866 | 2955 |
| | 600 | 2061106 | 588 | 2006 | 2062106 | 807 | 2753 | 2062206 | 1039 | 3546 |
| | 700 | 2061107 | 686 | 2341 | 2062107 | 942 | 3212 | 2062207 | 1212 | 4137 |
| | 800 | 2061108 | 784 | 2675 | 2062108 | 1076 | 3671 | 2062208 | 1386 | 4728 |
| | 900 | 2061109 | 882 | 3009 | 2062109 | 1211 | 4130 | 2062209 | 1559 | 5319 |
| | 1000 | 2061110 | 980 | 3344 | 2062110 | 1345 | 4589 | 2062210 | 1732 | 5910 |
| | 1100 | 2061111 | 1078 | 3678 | 2062111 | 1480 | 5048 | 2062211 | 1905 | 6501 |
| | 1200 | 2061112 | 1176 | 4013 | 2062112 | 1614 | 5507 | 2062212 | 2078 | 7092 |
| | 1400 | 2061114 | 1372 | 4681 | 2062114 | 1883 | 6425 | 2062214 | 2425 | 8273 |
| | 1600 | 2061116 | 1568 | 5350 | 2062116 | 2152 | 7343 | 2062216 | 2771 | 9455 |
| | 1800 | 2061118 | 1764 | 6019 | 2062118 | 2421 | 8260 | 2062218 | 3118 | 10637 |
| | 2000 | 2061120 | 1960 | 6688 | 2062120 | 2690 | 9178 | 2062220 | 3464 | 11819 |
| | 2200 | 2061122 | 2156 | 7356 | - | - | - | 2062222 | 3810 | 13001 |
| 2400 | 2061124 | 2352 | 8025 | - | - | - | 2062224 | 4157 | 14183 | |
| 700 | 400 | 2071104 | 447 | 1527 | 2072104 | 612 | 2088 | 2072204 | 784 | 2676 |
| | 500 | 2071105 | 559 | 1906 | 2072105 | 765 | 2610 | 2072205 | 981 | 3345 |
| | 600 | 2071106 | 670 | 2287 | 2072106 | 918 | 3132 | 2072206 | 1177 | 4015 |
| | 700 | 2071107 | 782 | 2668 | 2072107 | 1071 | 3654 | 2072207 | 1373 | 4684 |
| | 800 | 2071108 | 894 | 3049 | 2072108 | 1224 | 4176 | 2072208 | 1569 | 5353 |
| | 900 | 2071109 | 1005 | 3430 | 2072109 | 1377 | 4698 | 2072209 | 1765 | 6022 |
| | 1000 | 2071110 | 1117 | 3811 | 2072110 | 1530 | 5220 | 2072210 | 1961 | 6691 |
| | 1100 | 2071111 | 1229 | 4192 | 2072111 | 1683 | 5742 | 2072211 | 2157 | 7360 |
| | 1200 | 2071112 | 1340 | 4573 | 2072112 | 1836 | 6264 | 2072212 | 2353 | 8029 |
| | 1400 | 2071114 | 1564 | 5336 | 2072114 | 2142 | 7309 | 2072214 | 2745 | 9367 |
| | 1600 | 2071116 | 1787 | 6098 | 2072116 | 2448 | 8353 | 2072216 | 3138 | 10705 |
| | 1800 | 2071118 | 2011 | 6860 | 2072118 | 2754 | 9397 | 2072218 | 3530 | 12044 |
| 2000 | 2071120 | 2234 | 7622 | 2072120 | 3060 | 10441 | 2072220 | 3922 | 13382 | |

Henrad Everest Line & Henrad Compact

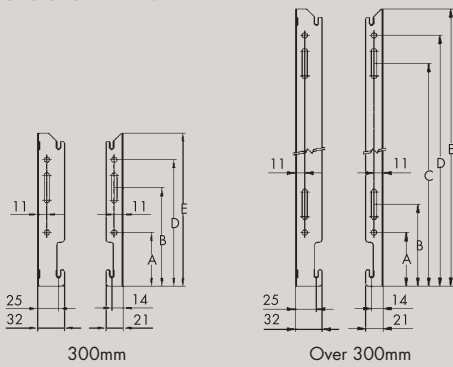
Wall Mounting Information

All dimensions in mm.



Mounting Bracket Information

All dimensions in mm.

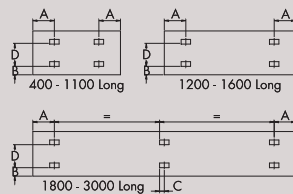


All dimensions in mm.

| Height | 300 | 450 | 500 | 600 | 700 |
|--------|-----|-----|-----|-----|-----|
| A | 65 | 65 | 65 | 65 | 65 |
| B | 119 | 99 | 99 | 99 | 99 |
| C | - | 269 | 319 | 419 | 519 |
| D | 153 | 303 | 333 | 453 | 553 |
| E | 185 | 335 | 385 | 485 | 585 |

T11, T21 & T22 Lug Positions

All dimensions in mm.



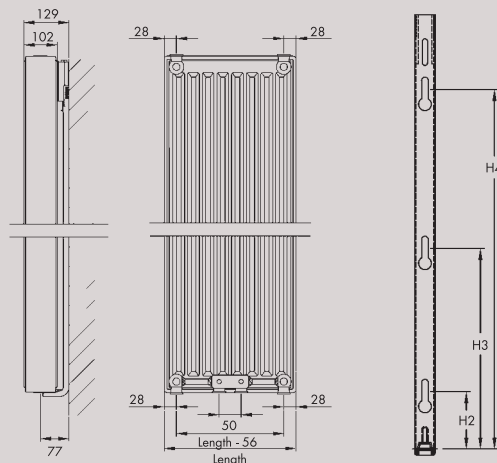
| Panel Height D | mm | mm |
|----------------|-----|----|
| 300 | 155 | |
| 450 | 305 | |
| 600 | 455 | |
| 700 | 555 | |

| Dimensions | T21 & T22 | T11 | mm | mm |
|------------|-----------|-----------------|-----|----|
| A | 133 | A 400mm | 117 | |
| B | 60 | A 500 - 3000mm | 150 | |
| | | B 400 - 3000mm | 60 | |
| | | C 1800 - 3000mm | 17 | |

Henrad Alto Line

Wall Mounting Information

All dimensions in mm.



Mounting Bracket Information

All dimensions in mm.

| Height | H2 | H3 | H4 |
|--------|----|-----|------|
| 1600 | 70 | 730 | 1390 |
| 1800 | 70 | 830 | 1590 |

Glossary

Btu/hr British Thermal Unit per hour is the standard measurement used to state the amount of output of any heat generating device.

Watts Is another measurement for heat output, 1 watt is equivalent to 3.412 Btu/hr.

Type 11 Also known as Type K1, is a type of radiator with 1 radiator panel and 1 set of convection fins.

Type 21 Also known as Type P+, is a type of radiator with 2 radiator panels and 1 set of convection fins.

Type 22 Also known as Type K2, is a type of radiator with 2 radiator panels and 2 sets of convection fins.

Δt Refers to the difference in temperature between the water circulating in the central heating system and that of the ambient temperature. It is important to use the correct Δt when selecting your radiators, as the same radiator will have different outputs at different water temperatures.

$\Delta t50$ $\Delta t50$ is the UK standard, however Henrad also quote at lower levels for lower water temperature systems.

Heat loss Is the amount of heat a room loses, it is therefore an important calculation when determining what size radiator is required to heat a room to the correct level.

Warranty The warranty covers any defect that is attributable to a manufacturing, assembly or material fault, further details available on request.



Is a set of International regulations related to quality management systems.

TBOE / BOE Refers to which position the pipes are connected to the radiator, OE means opposite end i.e. 1 pipe on each side, TB is top bottom i.e. 1 pipe is connected to the top and 1 to the bottom, B is both pipes connected to the bottom.



EN 442 is the European standard which defines the manufacturing standards for radiators and convectors which operate at temperatures of less than 120°C. The standard defines the type of steel which must be used, the type of pressure testing which must be carried out and the accuracy of the heat outputs quoted in the literature.



If you have a smartphone, download the QR code reader app on your smartphone, you can then scan the code on the back page of this brochure.

RAL A European wide colour matching system.

BSP British Standard Piping.



The CE marking is the manufacturers declaration that the product meets the requirements of the applicable EC directive. This is applicable to all Henrad products.