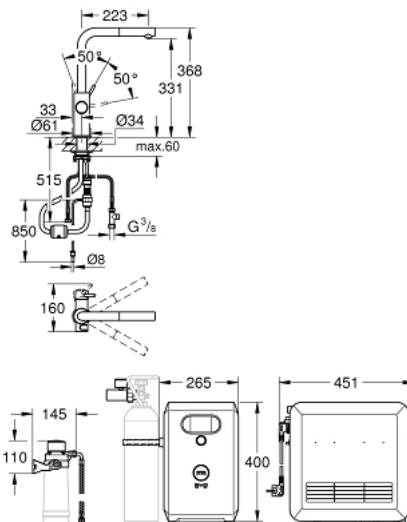


## 31 326 DC2 GROHE Blue Chilled & Sparkling L-spout kit

[https://www.grohe.pl/en\\_gb/grohe-blue-chilled-sparkling-l-spout-kit-31326DC2.html](https://www.grohe.pl/en_gb/grohe-blue-chilled-sparkling-l-spout-kit-31326DC2.html)



- Consisting of:
- **GROHE Blue** single-lever sink mixer with filter function
- monobloc installation
- L-spout
- touch operated for 3 types of filtered and chilled water
- still, medium, sparkling
- **GROHE StarLight** finish
- 28 mm ceramic cartridge with **GROHE SilkMove**
- **pull out mousseur spout**
- swivel tubular spout
- swivel area 360°
- separate inner water ways for filtered and non-filtered water
- flexible connection hoses
- **GROHE Blue Professional** cooler
- delivers 12 liters of chilled sparkling water per hour
- colour display with push and turn control
- 270 Watt cooling unit, 230 V, 50 Hz
- type of protection IP 21
- CE approved
- requires ventilation holes in the bottom of the kitchen cabinet
- software set-up and monitoring of filter and CO2 capacity possible via GROHE Ondus app
- push notifications at low filter resp. CO2 capacity
- additional monitoring via GROHE Blue Professional Browser-Monitor possible
- with Bluetooth 4.0\* and WIFI interface for wireless data communication
- for Apple\*\* and Android devices
- Bluetooth range (max. 10 m) varies depending on materials used and walls between transmitter and receiver
- filter head with flexible water hardness adjustment
- GROHE Blue filter, CO2 bottle and cleaning cartridge are not included in the delivery and have to be ordered separately
- suitable filters:
  - filter S-size, capacity 600 l at 20° dKH (40 404 001)
  - filter M-size, capacity 1500 l at 20° dKH (40 430 001)
  - filter L-size, capacity 2500 l at 20° dKH (40 412 001)
  - activated carbon filter, capacity 3000 l (40 547 001)
  - Magnesium+ filter, capacity 400 l at 17° dGH (40 691 001)
- 
- ...