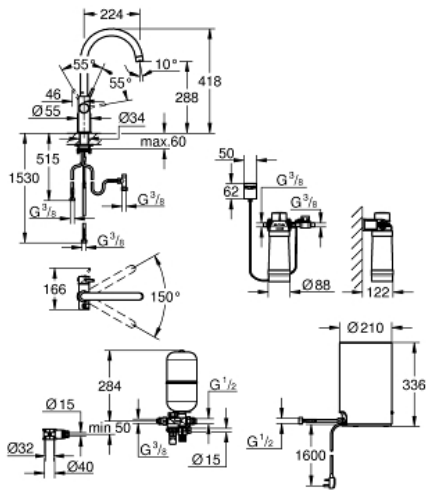


GROHE RED DUO
Tap and M Size Boiler
MODEL # 30058001

Pure Freude
an Wasser

GROHE



Product Description:
GROHE RED DUO
Tap and M Size Boiler

Standard Specification:

Consisting of:

GROHE Red Duo single-lever sink mixer (30 033 000)

monobloc installation

C-spout

GROHE ChildLock push buttons for kettle hot water

TÜV certified triple electronic safeguards against accidental activation of boiling water

GROHE StarLight chrome finish

28 mm ceramic cartridge

with **GROHE SilkMove**

insulated tubular spout

swivel area 150°

separate water ways

flexible connection hoses

connection for GROHE Red boiler

GROHE Red boiler M size

reservoir for kettle hot and hot water

3 litre 99° C kettle hot water

4 litre total capacity

required inlet pressure: 1-7 bar

with flexible connection hose and outlet for kettle hot water

CE approved

power supply 230 V 50 Hz

power consumption 2100 W

standby power consumption 15 W

energy efficiency class A

GROHE Red filter set

for protection of the boiler from limescale

Capacity 600 L at 15° dKH

5 phase filter

flow rate measuring unit

Color:

□ 30058001 Chrome