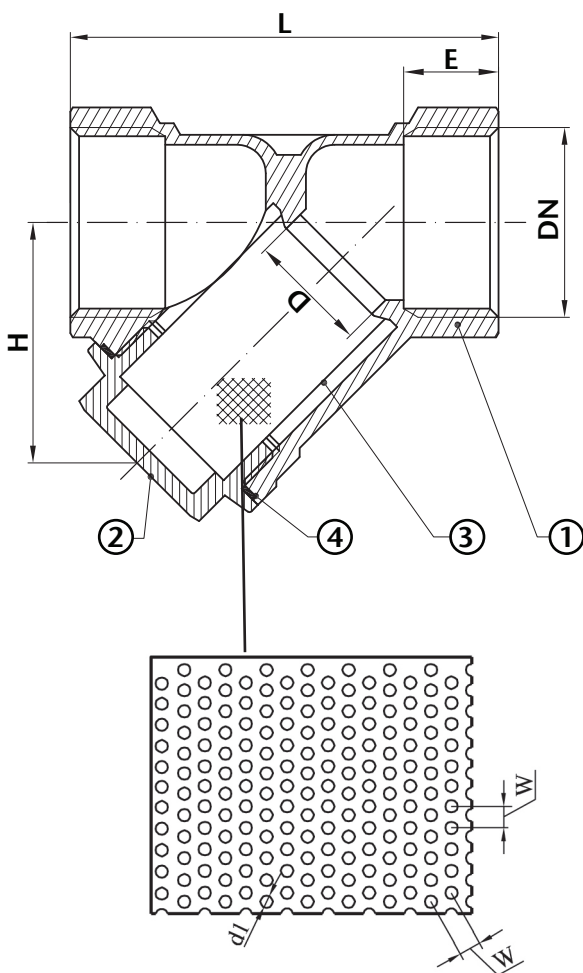


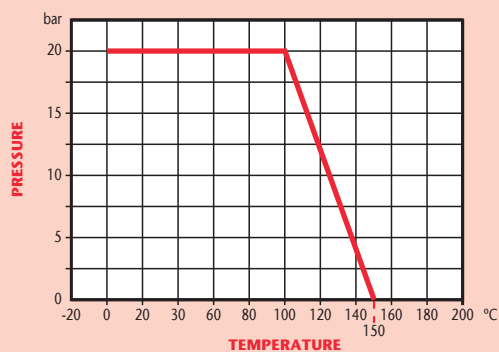
PN20 Brass Y Strainer

Features

- Screwed BSP Parallel (ISO 228/1)
- Brass Body
- Stainless Steel Mesh



Pressure / Temperature



DN	1/2"	3/4"	1"	1 1/4"	1 1/2"	2"	2 1/2"	3"	4"
L	57	72	74.5	95	105	129	142.5	160	245
H	34.5	39.5	43	54	61.5	61.5	83	93	143
E	12.5	15	16.5	18	18	20	20	22	30
D	15	18.5	21	29	38	46	58	64	100
d1	0.60	0.84	0.84	0.84	0.84	0.84	0.84	0.84	0.84
W	0.9	1.3	1.3	1.3	1.3	1.3	1.3	1.3	1.3
Kgs	0.16	0.28	0.35	0.62	0.83	1.20	1.98	3.03	7.00

Technical Data

Max Pressure	20 Bar
Working Temperature	0°C to +150°C

N.	Part Name	Materials
1	Body	Brass
2	Bonnet	Brass
3	Strainer	Stainless Steel 304
4	Gasket	PTFE

Dimensions in mm

This data sheet is designed as a guide and should not be regarded as wholly accurate in every detail. We reserve the right to amend the specification of any product without notice.