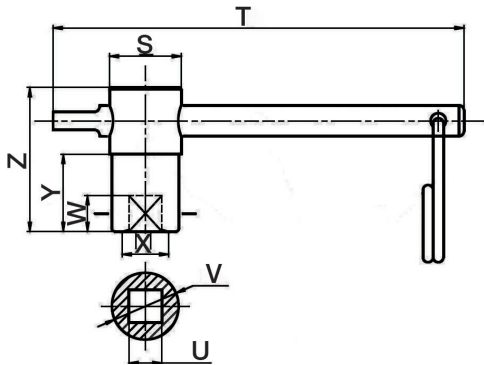


Key Information



Technical Data

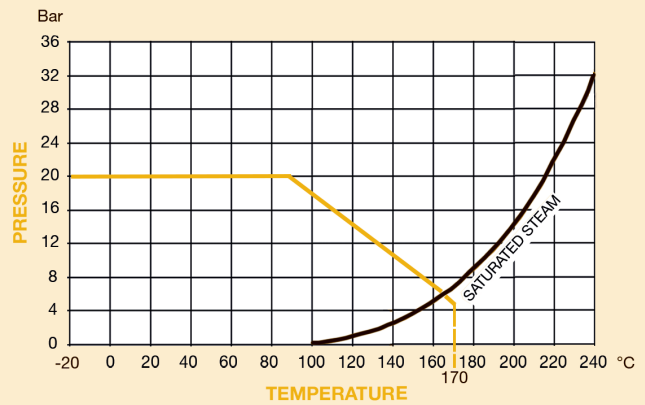
Max Pressure 20 Bar
 Working Temperature -20°C to +170°C

PN20 DZR Brass Gate Valve

Features

- Screwed BSP Taper (ISO 7/1) or NPT (ANSI B1.20.1)
- DZR Brass Body & Wedge
- BS5154
- WRAS Approved
- Lock Shield - Key available separately

PRESSURE / TEMPERATURE



DN	1/2"	3/4"	1"	1 1/4"	1 1/2"	2"
L	43	46	52	65	66	82.5
H	63.5	67.3	68.9	87.7	96.7	114.5
S	6.3	6.3	6.3	6.3	8.0	8.0
h	4.5	4.5	4.5	4.5	4.5	4.5
D	15	15	15	16.5	19.5	19.5
Key Req'd	Small	Small	Small	Small	Large	Large
Kgs	0.20	0.27	0.39	0.59	0.83	1.31

N.	Part Name	Materials
1	Body	DZR - CW602N
2	Wedge	DZR - CW602N
3	Bonnet	DZR - CW602N
4	Lock Nut	Brass - HPb58-2
5	Stem Packing	PTFE
6	Gland	Brass - HPb58-2
7	Packing Nut	Brass - HPb58-2
8	Stem	DZR - CW602N

Key Information

	Z	Y	X	W	T	S	ØV	U
Small	28	15	9	7	80	14	13	S6.4*6.4
Large	32	15	12	9	120	14	15.5	S8.1*8.1

Dimensions in mm

This data sheet is designed as a guide and should not be regarded as wholly accurate in every detail. We reserve the right to amend the specification of any product without notice.