

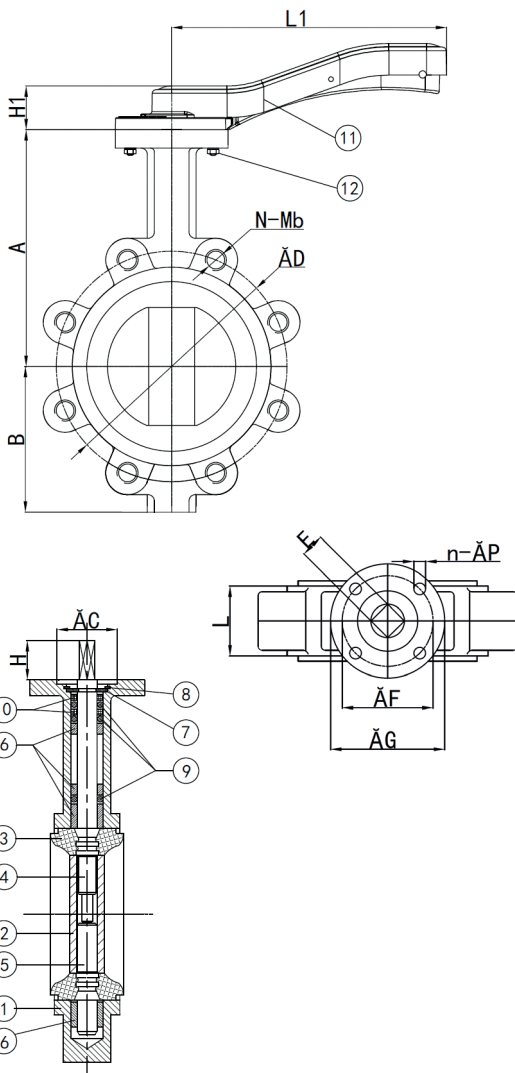
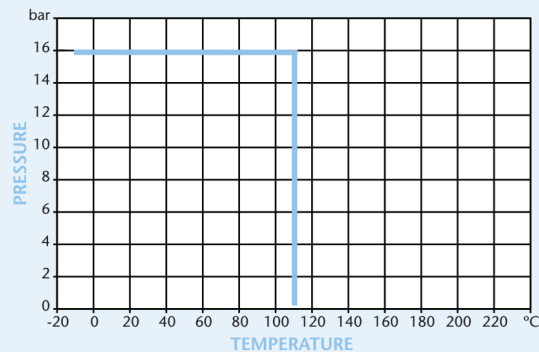


Ductile Iron Butterfly Valve Lugged & Tapped Type

Features

- Flange Mounting PN16 Only
- BS5155 (BS EN 593)
- ISO 5211 Direct Mount
- Lockable Handle
- Epoxy Coat Finish
- WRAS Approved
- MSS-SP-67

Pressure/Temperature



We strongly advise gearbox on all 8", 10" and 12" valves.

Technical Data

Maximum Pressure	16 Bar
Working Temperature	-10°C to +110°C

Dimensions in mm

This data sheet is designed as a guide and should not be regarded as wholly accurate in every detail. We reserve the right to amend the specification of any product without notice.

	50	65	80	100	125	150	200	250	300
A	142	154.5	161	180	193	205	250	282	326
B	60	70	85	104	120	135	171	205	248
C	56	56	56	56	56	56	71	71	71
D1	125	145	160	180	210	240	295	355	410
E	11	11	11	11	14	14	17	22	22
F	70	70	70	70	70	70	102	102	102
G	90	90	90	90	90	90	125	125	125
H	19	19	19	19	19	19	25	30	30
H1	31	31	31	36	36	36	42	42	42
L	41.4	44	44.6	51.4	53.8	55.1	59.5	65	75.9
L1	176	176	176	225	225	225	300	359	359
N-Mb	4-M16	4-M16	8-M16	8-M16	8-M16	8-M20	12-M20	12-M24	12-M24
n-AP	4x10	4x10	4x10	4x10	4x10	4x10	4x12	4x12	4x12
Torque	19	21	28	43	60	91	194	295	412
Kgs	2.35	2.75	3.05	4.7	5.5	6.75	11.6	20.4	29.1

N.	Part Name	Materials
1	Body	Ductile Iron GGG40
2	Disc	Stainless Steel 316
3	Seat	WRAS EPDM
4	Upper Shaft	Stainless Steel 420
5	Lower Shaft	Stainless Steel 420
6	Bushing	PTFE
7	Split Pin	Spring Steel 65Mn
8	Circlip	Spring Steel 65Mn
9	O-Ring	WRAS EPDM
10	Ring	Nylon 6 PA6
11	Lever	DN50-150 Aluminium DN200-300 DI
12	Bolt	Stainless Steel 304