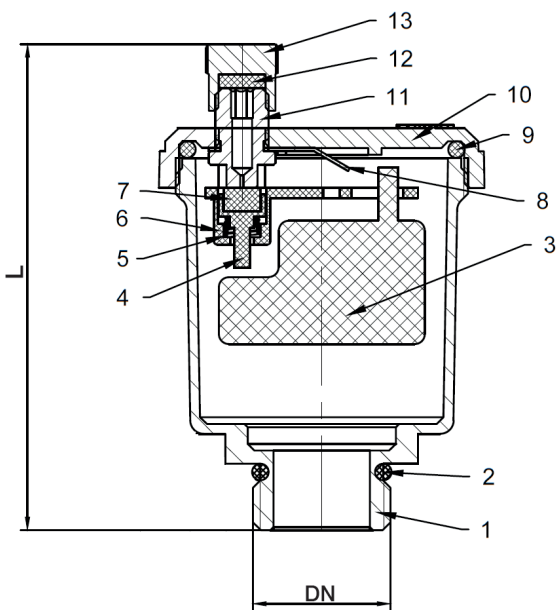


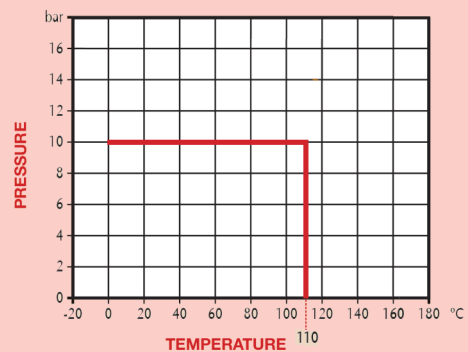
Brass Air Release Valve

Features

- Screwed BSP Parallel (ISO 228/1)
- Fitted with O-Ring seal



Pressure / Temperature



DN	1/2"	3/4"	1"
L	75.1	75.1	79.0
Kgs	0.19	0.20	0.24

N.	Part Name	Materials
1	Body	Brass CW617N
2	O-Ring	EPDM
3	Float	Polypropylene
4	Spring Seat	POM
5	Spring	AISI 304
6	Lever	POM
7	Rubber Gasket	EPDM
8	Lever Frame	Steel Zinc Plated
9	O-Ring	EPDM
10	Bonnet	Brass CW617N
11	Stem	Brass CW617N
12	Rubber Gasket	EPDM
13	Nut	Brass CW617N

Technical Data

Max Pressure	10 Bar
Max Temperature	0°C to +110°C

Dimensions in mm

This data sheet is designed as a guide and should not be regarded as wholly accurate in every detail. We reserve the right to amend the specification of any product without notice.