

Vernis Shape

Pillar tap 70 for cold water without waste set

Surfaces: **matt black** Art. no. : **71592670**



Description

product features

- ComfortZone 70 provides space for greater freedom of movement
- spout 92 mm long
- spout height: 63 mm
- free-standing installation
- Spray pattern: normal spray
- Maximum flow rate (at 3 bar): 5 l/min
- Min. operating pressure: 1 bar
- Max. operating pressure: 10 bar
- ceramic cartridge
- For cold water connection
- WRAS 2101056

Article Details

Price excl. VAT

£ 101.65

Technology



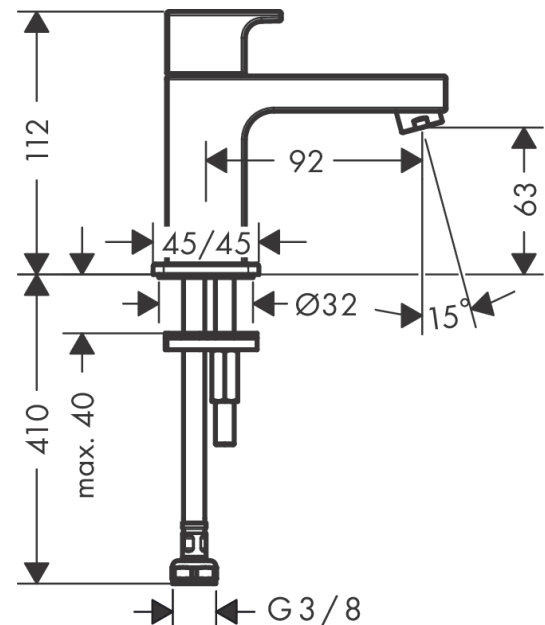
Certificates



Product image



Scale drawing



Vernis Shape
Pillar tap 70 for cold water without waste set
 Surfaces: **matt black** Art. no. : **71592670**



Flowchart

