

Ecostat

Thermostatic shower mixer 1001 CL for exposed installation

Surfaces: **chrome** Art. no. : **13211000**



Description

product features

- designed to run 1 function
- wall-mounted
- exposed design allows easy installation, all working parts are outside of the wall
- Centre distance: 150 mm ± 12 mm
- Ecostop button limits the water consumption to 10 l/min
- Maximum flow rate (at 3 bar): 16 l/min
- flow rate hand shower connection 16 l/min at 3 bar
- thermostat cartridge, ceramic valve 180°
- safety stop at 40°C
- Maximum temperature can be adjusted on installation
- Non-return valve
- Material handles: metal
- Connection type: S connections
- Min. operating pressure: 1 bar
- Max. operating pressure: 10 bar
- Noise class: I
- dirt filter included
- WRAS 1805016

Article Details

Price excl. VAT

£ 177.50

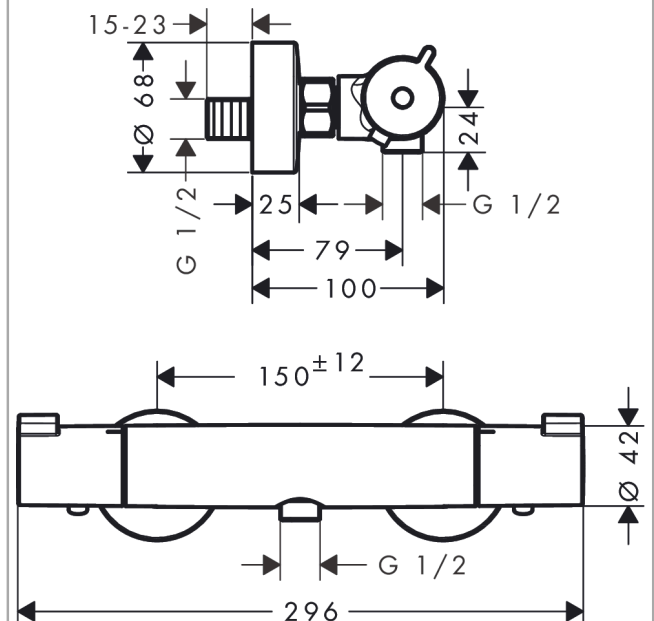
Certificates



Product image



Scale drawing



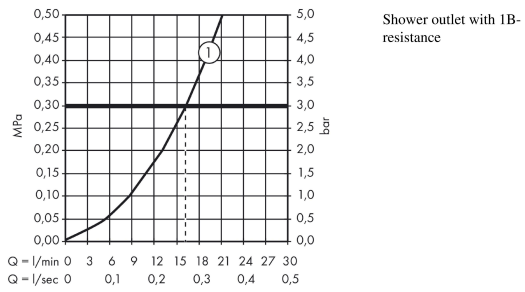
Ecostat

Thermostatic shower mixer 1001 CL for exposed installation

Surfaces: **chrome** Art. no. : **13211000**



Flowchart

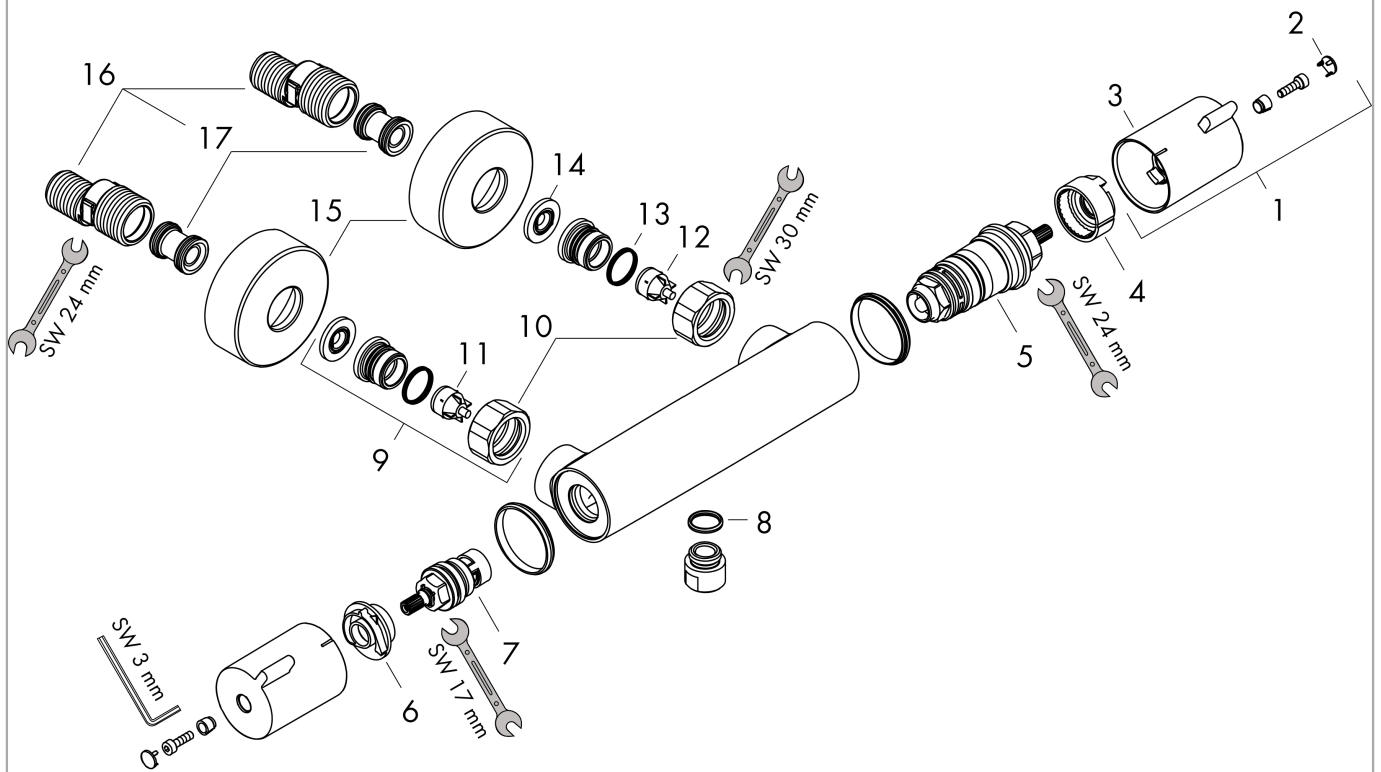


Ecostat
Thermostatic shower mixer 1001 CL for exposed installation
 Surfaces: **chrome** Art. no. : **13211000**



Exploded Drawing

Year of production: >09/19



Ecostat**Thermostatic shower mixer 1001 CL for exposed installation**Surfaces: **chrome** Art. no. : **13211000****Spare part list**

Year of production: >09/19

Pos.	Description	Art. no.	Price	PU
1	handle	92836000	-	1
2	cover cap	95433000	-	1
3	pushbutton	92848000	-	1
4	safety set for temperature control	95041000	-	1
5	thermostat cartridge	94282000	-	1
6	safety set for flow control	95042000	-	1
7	shut off unit	94149000	-	1
8	O-ring 14x2	98129000	-	1
9	set of unions	94285000	-	1
10	set of nuts	96157000	-	1
11	non return valve (pressure-resistant up to 2 MPa)	93136000	-	1
12	non return valve	96737000	-	1
13	O-ring 17x1,5	98137000	-	1
14	filter packing	96922000	-	1
15	escutcheon Ø 68 mm	96467000	-	1
16	noise reduction	96429000	-	1
17	set of S-unions (±12 mm)	94140000	-	1