

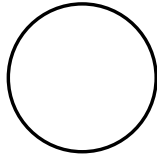
# FlueSnug



## Colours and Sizes



Black



White



100mm

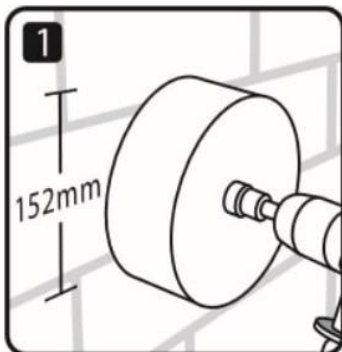


100mm

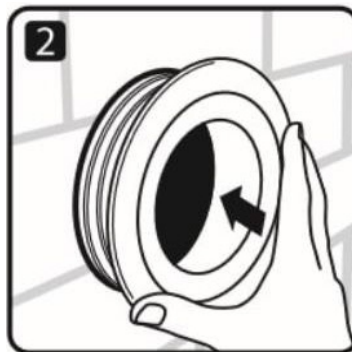
## 100mm FlueSnug



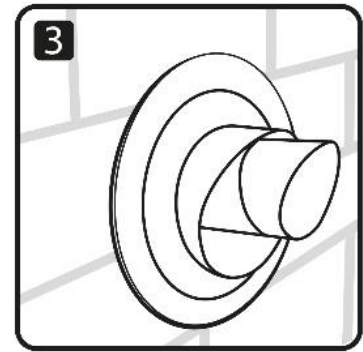
## Installation Instructions



Core drill hole using standard 152mm core



Insert PipeSnug into core-drilled hole



Connect up pipework in usual way

# FlueSnug



## 100mm

- Designed to fit 110mm solvent weld and push-fit fittings - branches, bends, etc (all UK manufacturer brands).
- Can be used internally and externally.
- For use with solvent weld and push fit soil waste pipe systems.

Core Drill Size	L (mm)	W (mm)	H (mm)	Wgt (kg)	Material (Part 1)	Material (Part 2)	Colours Available
152mm	182	182	63	0.144	Polypropylene with UV 91872 hindered amine light stabiliser (HALS) additive	TPE (thermoplastic elastomer) with heat and UV stabiliser	Black, White

