

Vernis Shape

Pillar tap 70 for cold water without waste set

Surfaces: **chrome** Art. no. : **71592000**



Description

product features

- ComfortZone 70 provides space for greater freedom of movement
- spout 92 mm long
- spout height: 63 mm
- free-standing installation
- Spray pattern: normal spray
- Maximum flow rate (at 3 bar): 5 l/min
- Min. operating pressure: 1 bar
- Max. operating pressure: 10 bar
- ceramic cartridge
- For cold water connection
- WRAS 2101056

Article Details

Price excl. VAT

£ 72.23

Technology



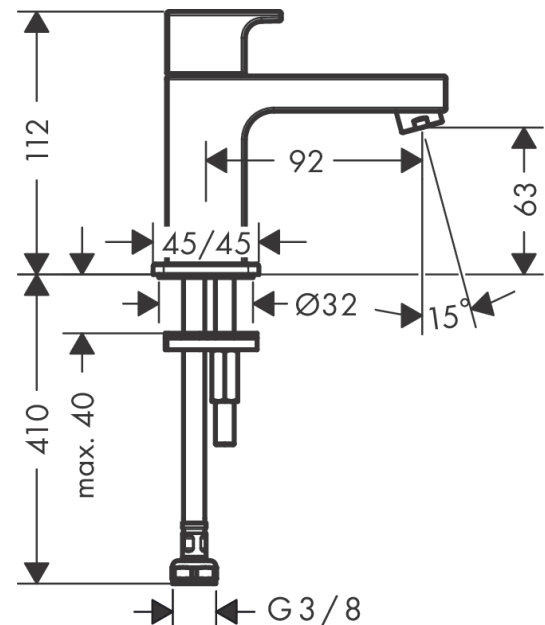
Certificates



Product image



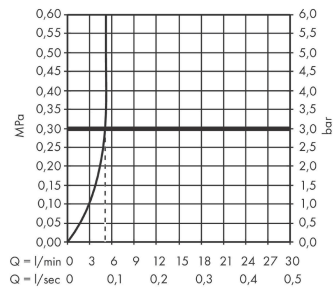
Scale drawing



Vernis Shape
Pillar tap 70 for cold water without waste set
 Surfaces: **chrome** Art. no. : **71592000**



Flowchart

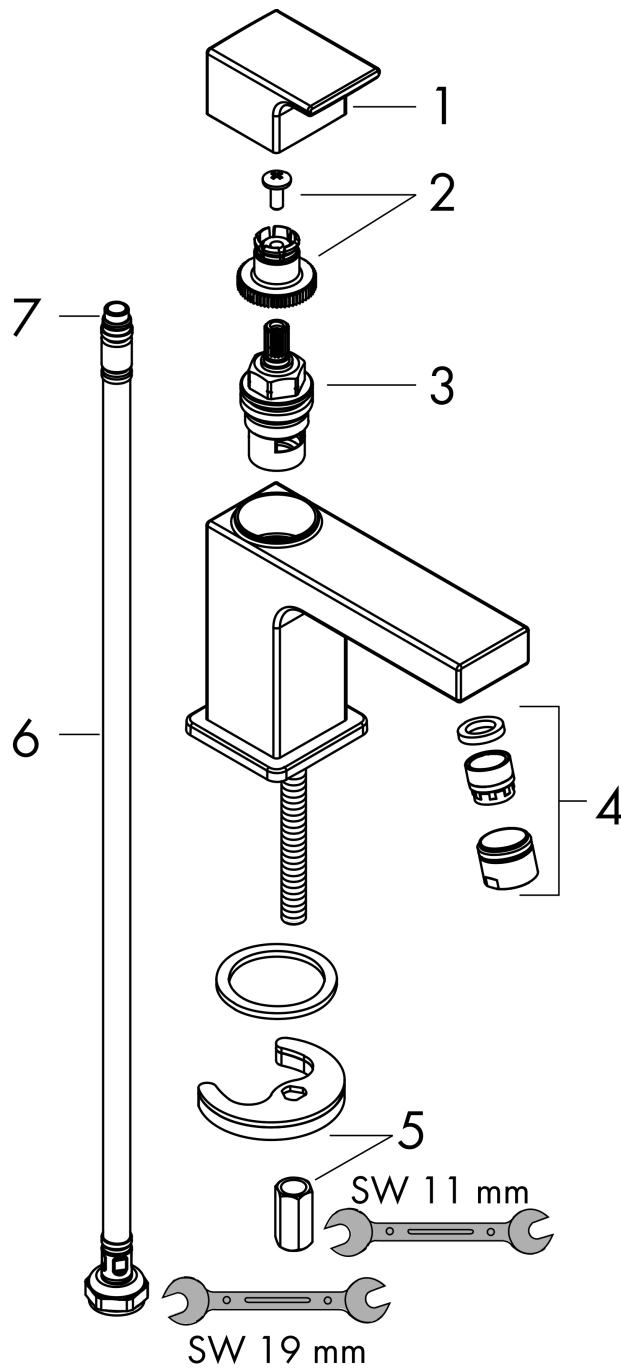


Vernis Shape
 Pillar tap 70 for cold water without waste set
 Surfaces: chrome Art. no. : 71592000



Exploded Drawing

Year of production: >04/21



Vernis Shape
Pillar tap 70 for cold water without waste set
 Surfaces: **chrome** Art. no. : **71592000**



Spare part list

Year of production: >04/21

Pos.	Description	Art. no.	Price	PU
1	handle	93901000	-	1
2	handle fixing set	94184000	-	1
3	shut off unit right closing	93839000	-	1
4	aerator cpl.	93900000	-	1
5	fixing set	96016000	-	1
6	connection hose 450 mm M8x0,75 G3/8	97206000	-	1
7	O-ring 7x1,5	98422000	-	1