

**Vernis Shape**  
**Single lever bath and shower mixer Monotrou**  
 Surfaces: **chrome** Art. no. : **71463000**



### Description

**product features**

- designed to run 2 outlets
- spout 95 mm long
- Spray type mixer: normal spray
- Maximum flow rate (at 3 bar): 24 l/min
- Flow rate for bath spout (at 3 bar): 24 l/min
- Flow rate of hand shower (at 3 bar): 13.7 l/min
- ceramic cartridge
- Maximum temperature can be adjusted on installation
- diverter with automatic resetting
- protected against backflow, according to DIN EN 1717
- Noise class: I
- Connection type: 3/8" hose connections
- WRAS 2204081
- WRAS 2204081 - Approval letter

### Article Details

Price excl. VAT

£ 166.74

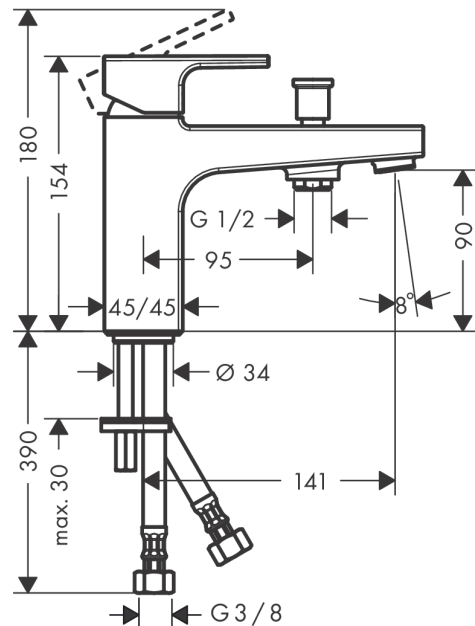
### Certificates



### Product image



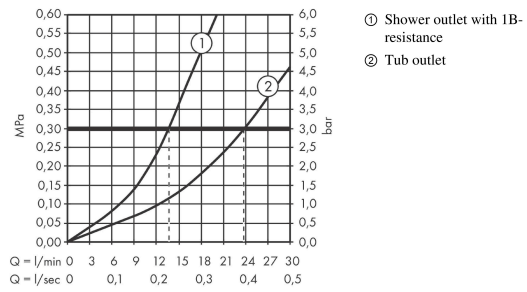
### Scale drawing



**Vernis Shape**  
**Single lever bath and shower mixer Monotrou**  
 Surfaces: **chrome** Art. no. : **71463000**



**Flowchart**

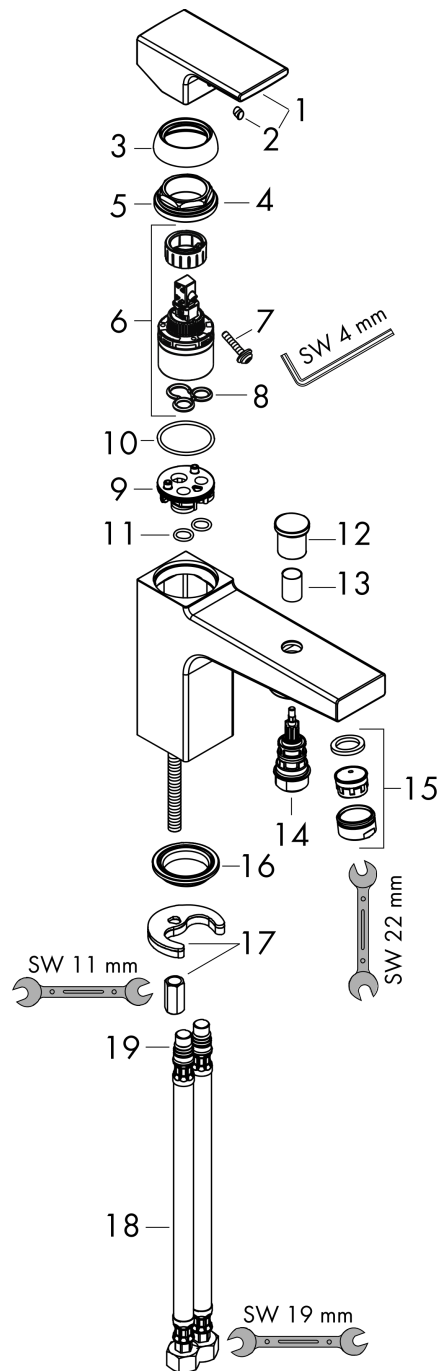


**Vernis Shape**  
**Single lever bath and shower mixer Monotrou**  
 Surfaces: **chrome** Art. no. : **71463000**



**Exploded Drawing**

Year of production: >04/21



**Vernis Shape**  
**Single lever bath and shower mixer Monotrou**  
 Surfaces: **chrome** Art. no. : **71463000**



## Spare part list

Year of production: >04/21

Pos.	Description	Art. no.	Price	PU
1	handle	93684000	-	1
2	screw cover	96338000	-	1
3	flange	97406000	-	1
4	nut	95870000	-	1
5	O-ring 33x2	98154000	-	1
6	cartridge, assy	92730000	-	1
7	locking screw for handle	95140000	-	1
8	seal	95008000	-	1
9	adapter for cartridge	97773000	-	1
10	O-Ring 32x2	98193000	-	1
11	O-ring 9x1,8	98118000	-	1
12	diverter knob	93766000	-	1
13	sleeve	97979000	-	1
14	selector	97978000	-	1
15	aerator laminar	93649000	-	1
16	seal Ø 42	98722000	-	1
17	fixing set	96016000	-	1
18	connection hose 450 mm M10x1 G3/8	96507000	-	1
19	O-ring 8x1,75	97827000	-	1